



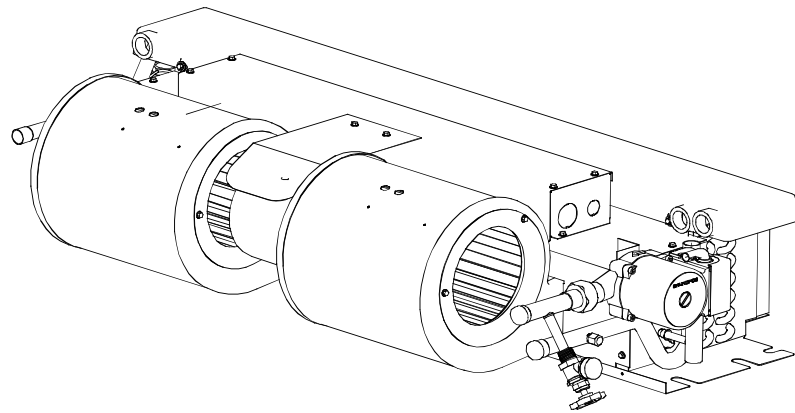
# REPAIR PARTS

## ACHP Series Ceiling Mount Air Handler with Hydronic Coil

The last letter of the model number represents the revision level; example: ACHP1819-1 A is ACHP1819-1 rev. A.

Models covered in this manual

- ACHP1819-1
- ACHP1819-1 A
- ACHP2423-1
- ACHP2423-1 A
- ACHP3028-1
- ACHP3028-1 A
- ACHP3632-1
- ACHP3632-1 A



Made in the USA by:  
Goodman Manufacturing Company, L.P.  
2550 North Loop West, Suite 400  
Houston Texas 77092

RP - 282A  
August 2003

This manual is to be used by qualified technicians only.

This manual replaces RP-282.  
Copyright © 2003 Goodman Manufacturing Company, L.P.

## Important Information

---

Goodman is not responsible for personal injury or property damage resulting from improper service. Review all service information before beginning repairs.

Warranty service must be performed by an authorized technician, using authorized factory parts. If service is required after the warranty expires, Goodman also recommends contacting an authorized technician and using authorized factory parts.

For assistance within the U.S.A. contact:  
Consumer Affairs Department  
Goodman Manufacturing Company, L.P.  
7401 Security Way  
Houston, Texas 77040  
877-254-4729-Telephone  
713-863-2382-Facsimile

For assistance outside the U.S.A. contact:  
International Division  
Goodman Manufacturing Company, L.P.  
7401 Security Way  
Houston, Texas 77040  
713-861-2500-Telephone  
713-863-2382-Facsimile

# Index

Functional Parts List .....	5
Illustration and Parts .....	6 - 7

*Views shown are for parts illustrations only, not servicing procedures.*

Revision A: Updates the Timing Delay Board and Relay in some models.

## **Text Codes:**

AR - As Required

NA - Not Available

NS - Not Shown

00000000 - See Note

QTY - Quantity Example (QTY 3) (If Quantity not shown, Quantity = 1)

M - Model Example (M1) (If M Code not shown, then part is used on all Models)

## **Expanded Model Nomenclature:**

Example
M1 - Model#1
M2 - Model#2
M3 - Model#3

This page left blank intentionally.

# Functional Parts

## Part

## No: Description:

---

BT1368019	BLOWER WHEEL 11.25 x 7.125 (M7, M8)
BT1368011	BLOWER WHEEL 5.75 X 6.75 (M1, M2)
BT1368014	BLOWER WHEEL 6.75 X 9.25 (M3, M4, M5, M6)
BT9458041	CAPACITOR, 20 mfd (M7, M8)
BT9458003	CAPACITOR, 7.5 370 (M1, M2, M3, M4, M5, M6)
3696001	EVAPORATOR COIL TUBING ASSEMBLY (M3, M4)
3696002	EVAPORATOR COIL TUBING ASSEMBLY (M5, M6)
3696004	EVAPORATOR COIL TUBING ASSEMBLY (M7, M8)
3696000	EVAPORATOR COIL TUBING ASSEMBLY (M1, M2)
3697010S	HYDRONIC COIL TUBING ASSEMBLY (M7, M8)
3697001S	HYDRONIC COIL TUBING ASSEMBLY (M5, M6)
3697000S	HYDRONIC COIL TUBING ASSEMBLY (M1, M2, M3, M4)
BT1340041	MOTOR, 1/2HP 115V (M7, M8)
BT1340024	MOTOR, 1/3HP 115V (M3, M4, M5, M6)
BT1340023	MOTOR, 1/8HP 115V (M1, M2)
BT1400008	POWER HEAD
BT1370701	PUMP RELAY
B1370735	TIME DELAY BOARD (M2, M4, M6, M8)
BT1370700	TIME DELAY RELAY (M1, M3, M5, M7)
BT1141600	TRANSFORMER, 120 TO 24V
BT1400007	WATER CIRCULATOR (INCLUDES 7 & 17)

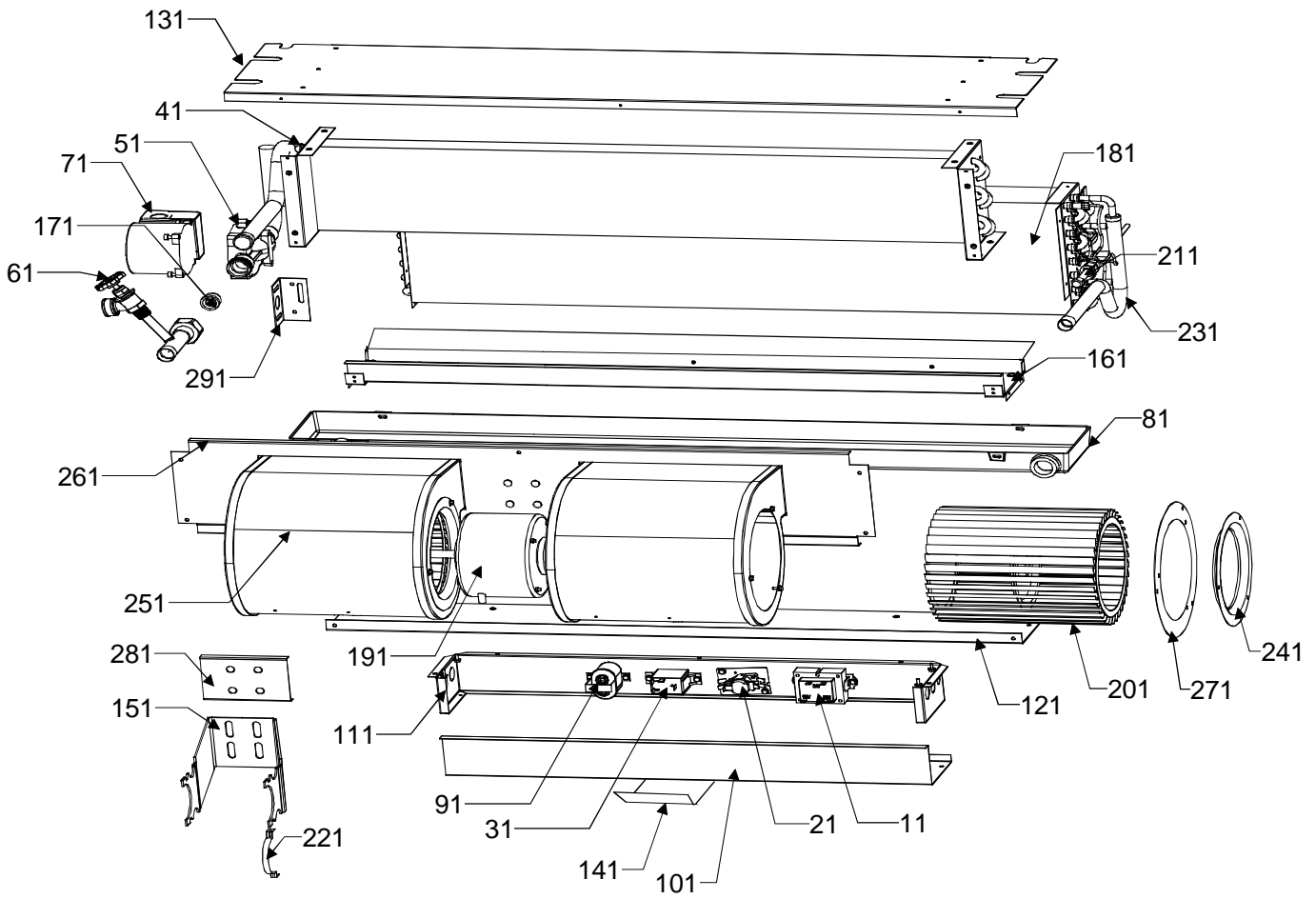
### SPECIAL PARTS

IO-175D	I & O MANUAL
RP-282A	REPAIR PARTS MANUAL

### Expanded Model Nomenclature

M1 - ACHP1819-1
M2 - ACHP1819-1 A
M3 - ACHP2423-1
M4 - ACHP2423-1 A
M5 - ACHP3028-1
M6 - ACHP3028-1 A
M7 - ACHP3632-1
M8 - ACHP3632-1 A

# ACHP Air Handlers



# ACHP Air Handlers

Ref Part No:	Description:	Ref. Part No:	Description:								
<i>Image 1:</i>		231 3660002	MANIFOLD ASSEMBLY								
11 BT1141600	TRANSFORMER, 120 TO 24V	231 3660003	MANIFOLD ASSEMBLY								
21 B1370735	TIME DELAY BOARD (M2, M4, M6, M8)	241 3642000	VENTURI (M1, M2, M7, M8)								
21 BT1370700	TIME DELAY RELAY (M1, M3, M5, M7)	241 3642001	VENTURI (M3, M4, M5, M6)								
31 BT1370701	PUMP RELAY	251 3660200S	BLOWER HOUSING (M1, M2)								
41 3697000S	HYDRONIC COIL TUBING ASSEMBLY (M1, M2, M3, M4)	251 3660201S	BLOWER HOUSING (M3, M4, M5, M6)								
41 3697001S	HYDRONIC COIL TUBING ASSEMBLY (M5, M6)	251 3660202S	BLOWER HOUSING (M7, M8)								
41 3697010S	HYDRONIC COIL TUBING ASSEMBLY (M7, M8)	261 3614000	BLOWER DECK (M1, M2)								
51 BT1400007	WATER CIRCULATOR (INCLUDES 7 & 17)	261 3614001	BLOWER DECK (M3, M4)								
61 BT3041501	1/2" SWT. HOSE BIBB VALVE	261 3614003	BLOWER DECK (M5, M6)								
71 BT1400008	POWER HEAD	261 3614006	BLOWER DECK (M7, M8)								
81 3670000	DRAIN PAN ASSEMBLY (M1, M2, M3, M4)	271 3642004	VENTURI FILLER PLATE (M1, M7, M8)								
81 3670001	DRAIN PAN ASSEMBLY (M5, M6)	281 3616002	MOTOT MT. BACKING PLATE (M7, M8)								
81 3670003	DRAIN PAN ASSEMBLY (M7, M8)	291 3001008	PUMP MOUNTING BRACKET								
91 BT9458041	CAPACITOR, 20 mfd (M7, M8)	<b>Expanded Model Nomenclature</b>									
91 BT9458003	CAPACITOR, 7.5 370 (M1, M2, M3, M4, M5, M6)	<table border="1"> <tr><td>M1 - ACHP1819-1</td></tr> <tr><td>M2 - ACHP1819-1 A</td></tr> <tr><td>M3 - ACHP2423-1</td></tr> <tr><td>M4 - ACHP2423-1 A</td></tr> <tr><td>M5 - ACHP3028-1</td></tr> <tr><td>M6 - ACHP3028-1 A</td></tr> <tr><td>M7 - ACHP3632-1</td></tr> <tr><td>M8 - ACHP3632-1 A</td></tr> </table>		M1 - ACHP1819-1	M2 - ACHP1819-1 A	M3 - ACHP2423-1	M4 - ACHP2423-1 A	M5 - ACHP3028-1	M6 - ACHP3028-1 A	M7 - ACHP3632-1	M8 - ACHP3632-1 A
M1 - ACHP1819-1											
M2 - ACHP1819-1 A											
M3 - ACHP2423-1											
M4 - ACHP2423-1 A											
M5 - ACHP3028-1											
M6 - ACHP3028-1 A											
M7 - ACHP3632-1											
M8 - ACHP3632-1 A											
101 3610001	CONTROL BOX TOP										
111 3611003	CONTROL BOX (M1, M3, M5)										
111 3611004	CONTROL BOX (M7)										
111 3611005	CONTROL BOX (M2, M4, M6)										
111 3611006	CONTROL BOX (M8)										
121 3612003	CONTROL BOX BOTTOM (M1, M2, M3, M4, M5, M6)										
121 3612004	CONTROL BOX BOTTOM (M7, M8)										
131 3613000	EVAP. TOP PANEL (M1, M2, M3, M4)										
131 3613001	EVAP. TOP PANEL (M5, M6)										
131 3613003	EVAP. TOP PANEL (M7, M8)										
141 3617000	MOTOR SHIELD										
151 3616000	MOTOR MOUNT BRACKET (M1, M2, M3, M4, M5, M6)										
151 3616001	MOTOR MOUNT BRACKET (M7, M8)										
161 3630003S	EVAPORATOR SUPPORT ASM. (M1, M2, M3, M4)										
161 3630004S	EVAPORATOR SUPPORT ASM. (M5, M6)										
161 3630011S	EVAPORATOR SUPPORT ASM. (M7, M8)										
171 BT1400004	CHECK VALVE AND GASKET										
181 3696000	EVAPORATOR COIL TUBING ASSEMBLY (M1, M2)										
181 3696001	EVAPORATOR COIL TUBING ASSEMBLY (M3, M4)										
181 3696002	EVAPORATOR COIL TUBING ASSEMBLY (M5, M6)										
181 3696004	EVAPORATOR COIL TUBING ASSEMBLY (M7, M8)										
191 BT1340041	MOTOR, 1/2HP 115V (M7, M8)										
191 BT1340024	MOTOR, 1/3HP 115V (M3, M4, M5, M6)										
191 BT1340023	MOTOR, 1/8HP 115V (M1, M2)										
201 BT1368019	BLOWER WHEEL 11.25 x 7.125 (M7, M8)										
201 BT1368011	BLOWER WHEEL 5.75 X 6.75 (M1, M2)										
201 BT1368014	BLOWER WHEEL 6.75 X 9.25 (M3, M4, M5, M6)										
211 BT1369001	FLOWRATOR (M3, M4)										
211 BT1369004	FLOWRATOR (M1, M2)										
211 BT1369005	FLOWRATOR (M5, M6)										
211 BT1369013	FLOWRATOR (M7, M8)										
221 BT1392500	MOTOR MOUNT CLAMP (QTY 2)										

The last letter of the model number represents the revision level; example: ACHP1819-1 A is ACHP1819-1 rev. A.